

**RWK SOLAR**

ENGINEERING, PROCUREMENT  
CONSTRUCTION

COMPANY PROFILE



## ABOUT US

**RWK SOLAR** is a turnkey solar PV and energy storage provider. As an EPC (Engineering, Procurement and Construct) company, RWK Solar can provide a seamless transition to a sustainable future for the commercial, industrial and residential market, making renewable energy a reality.

Our sister Company **RWK ELECTIRCAL** has a customer base from the central region of South Africa down to the Southern Cape and Cape Province, RWK Electrical has been a force in the electrical industry in recent years. It's due to this rapid growth and demand that the company has expanded into the renewable sector.

Our highly motivated and experienced team is there to assist customers from conceptual ideas to final commissioning.

### **RWK Solar is committed to ensuring a sustainable future by:**

- Promoting clean, safe, secure and economically viable renewable energy developments.
- Customized solutions for our customers' solar energy needs
- Delivering an outstanding level of service to our clients and ensuring that they benefit from the profitable development of renewable energy.

### **OUR VISION:**

RWK SOLAR strives to be recognized as one of the leading world class renewable energy company in its core business of activities both within South Africa and abroad. Promoting, fostering and encouraging capacity electricity, development and skills transfer.

### **OUR MISSION:**

The vision of R W K Electrical drives the company towards the fulfilment of the mission, that of becoming a leader in the electrical construction industry that will succeed in the marketplace through the delivery of a quality service. The cornerstone of our existence is to develop a winning team that will understand the needs of the clients and generate new ideas to solving problems within the most cost effective and quality assured method . This would be achieved by optimizing the time, cost and quality aspects of any a project.



## SERVICES

RWK Solar relies on experience and hard work to provide our customers with the quality they want and deserve. All our employees understand RWK Solar focus on our clients and commitment to quality. Our eye for design, attention to detail, and quality craftsmanship make us the premier installer of beautiful, functional solar energy systems throughout South Africa.

### **Our services include:**

- Design and installation
- Engineering development team
- Procurement
- Construction
- Sub-structure installation
- PV Module installation
- Inverter, Transformer, Switchgear and Cabling installation
- Grid Connection
- Monitoring of Systems

As an EPC, RWK Solar only uses solar products ranked as Tier 1 by Bloomberg to ensure the best quality for every customer



## SOLAR SYSTEM DESIGNS

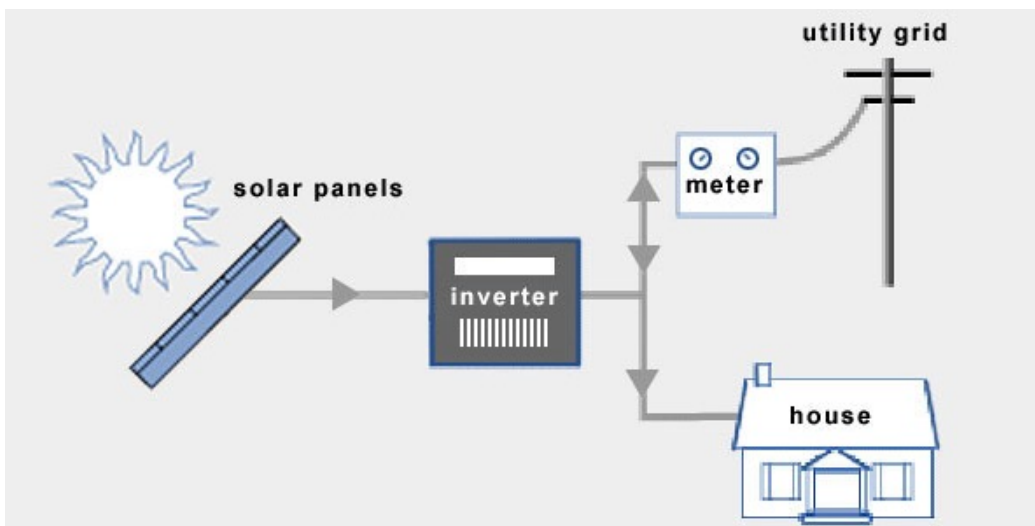
### Grid-tie Systems

Grid-tie systems are designed to replace your usage with solar energy from the sun when the sun is shining. As it is tied to the grid (Council connection or Eskom) it combines the solar output power with the grid input power to reduce the usage needed from the grid-connection. Grid Tie Systems do not offer any backup power in case of load shedding, it is used to save on electricity consumption. Therefore, if the grid is off, the system will also be off.

Grid-tie systems offer the ideal cost saving solution for offices, shops, malls or large complexes, mines, hospitals, butcheries, or any power user which operates during the day.

These systems are the most cost-effective to install and your return on investment could be 2-4 years depending on the tariff associated with the connection.

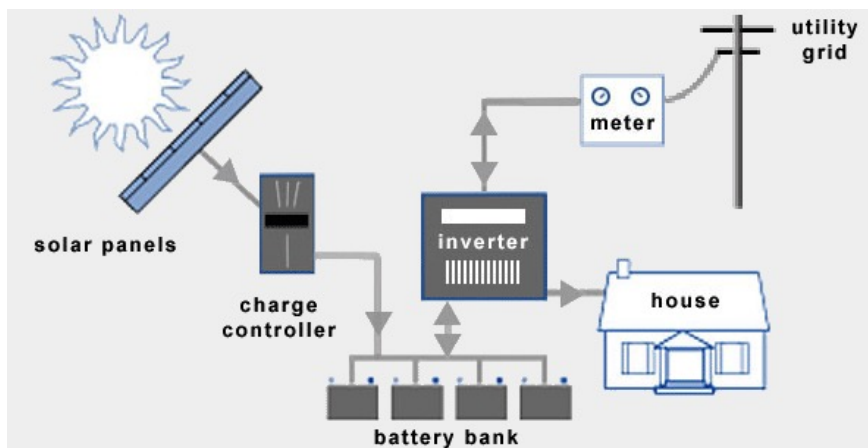
Grid-tie systems can export to the grid if it's allowed by your local authority. If the local authority does not provide this service a specialized meter will have to be installed to prevent feeding back into the grid if there is an excess.



## SOLAR SYSTEM DESIGNS

### Hybrid or Backup systems

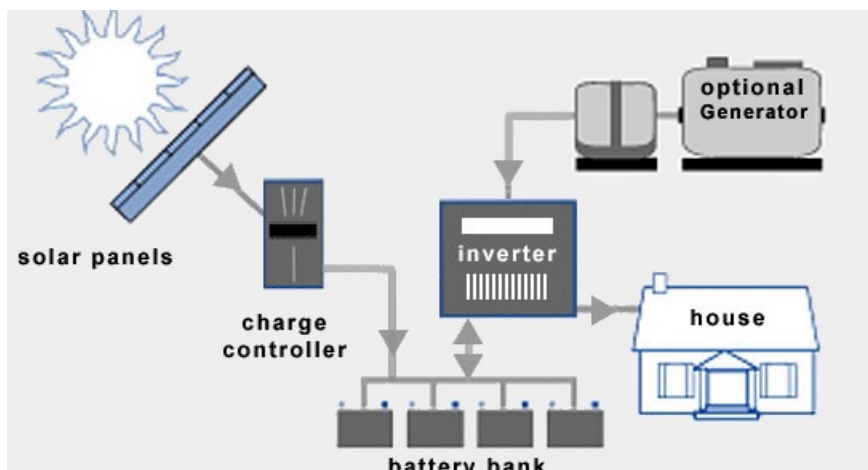
Hybrid systems are typically like Grid-tie systems since they can save you power during daylight hours with the major difference that they have a battery bank as a backup for load shedding. These systems vary in capability and price depending on the needs of the customer.



### Off-grid systems

Off-Grid systems are designed for remote applications where no grid power is available. These are mostly used with a generator or a wind turbine as a backup to support the battery bank if the weather conditions affect the available daylight.

These systems are designed to be dependable and reliable and are often costly to install. There are however custom solutions for every customer. The latest battery technology allows batteries to last up to 10 years depending on depth of discharge.

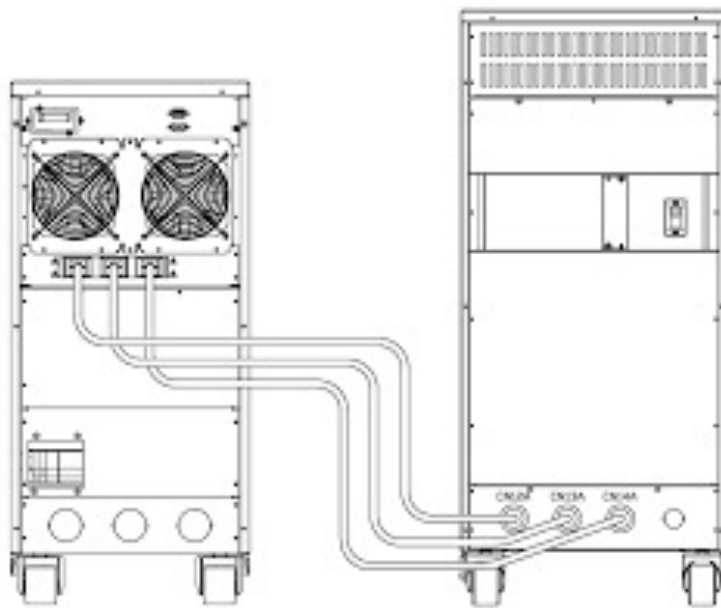


## SOLAR SYSTEM DESIGNS

### UPS-systems

RWK Solar also provides a range of UPS (undisruptive power supply) solutions for homes and businesses.

These solutions are the perfect solution for an affordable alternative in the load shedding era when our regular power source fails, or voltage drops to an unacceptable level. A UPS allows for the safe, orderly shutdown of a computers and sensitive connected equipment.



## FUNDING SOLUTIONS

RWK Solar can assist our customers with a wide range of funded solutions:

### **Power purchase agreements**

This solutions provides a customer with the means of obtaining a solar system and receiving a benefit from the solar system without having a capital outlay. Customers purchase the energy supplied by the solar system at a reduced rate to what they would pay on their grid-connection rate.

### **The key benefits of a fully funded solar offer are:**

- Immediate savings from month one
- No capex, ongoing maintenance costs or insurance costs allowing
- you to put your capital to better use
- Pay-as-you-go by only paying for what you use
- No technology risk since there is no capital outlay
- Zero regulatory risk with no effect on any regulatory changes

Similarly, customers can fund their systems using fixed payment funding to enjoy the same benefits of a PPA, with the major difference being that these payback terms are often shorter but work in the same manner as a loan with fixed payments.



# CONTACT US...



+ 27 87 291 1168



32 Atherstone Street | East End  
Bloemfontein | 9301



PO BOX 28033 | Danhof  
Bloemfontein | 9310



[www.rwksolar.com](http://www.rwksolar.com)

